

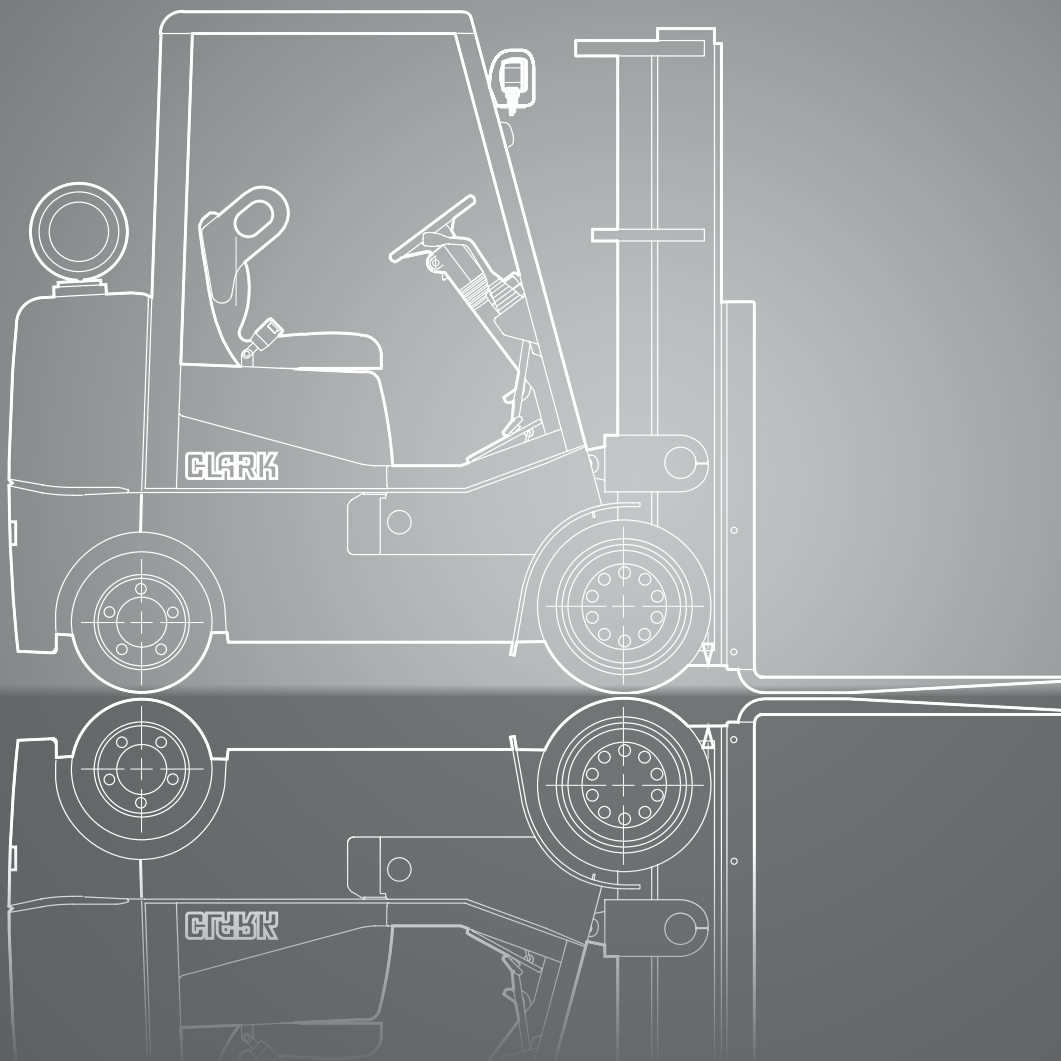
CGC40/50/55

CGC60/70

LPG engine

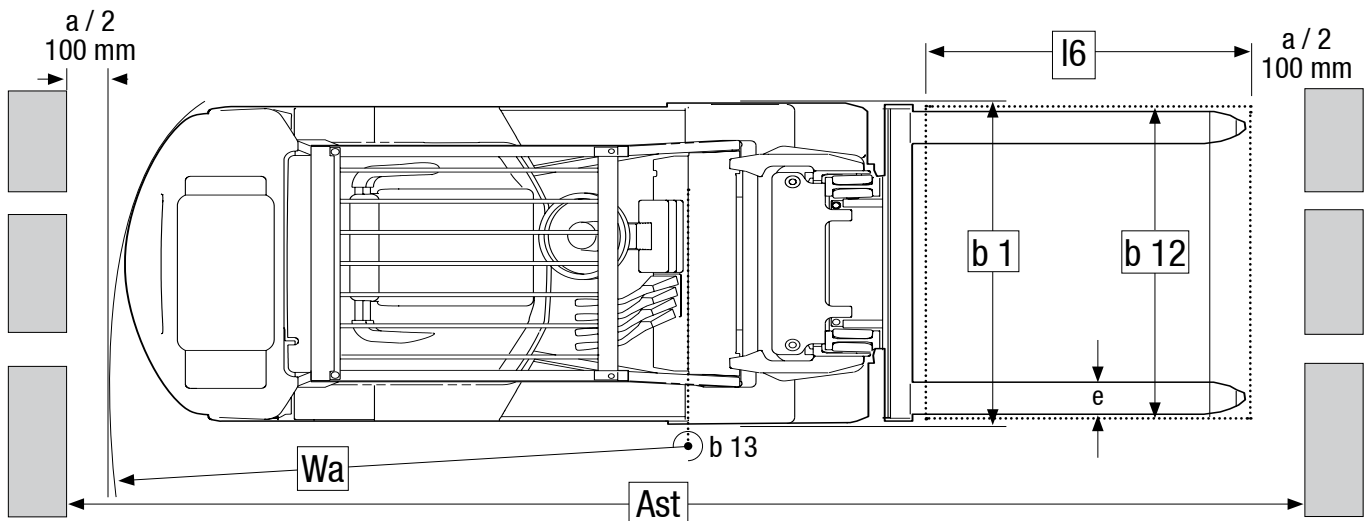
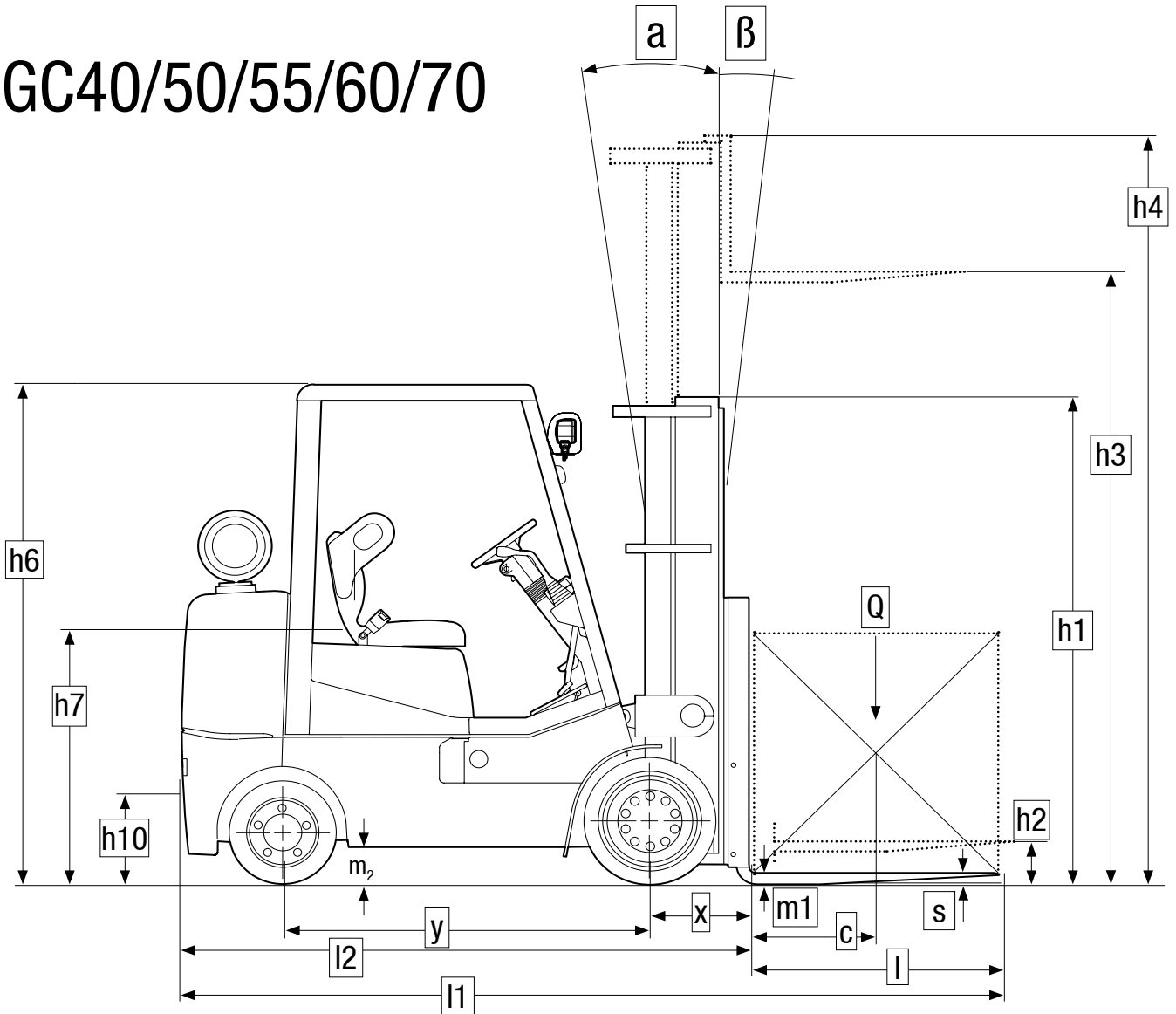
Cushion Tyres

4.000 kg 5.000 kg 5.500 kg 6.000 kg 7.000 kg



DIMENSIONS

CGC40/50/55/60/70



For corresponding data see specification chart.

$a = 200 \text{ mm}$
 $Ast = Wa + x + l6 + a$
 applies only if $b12 / 2 < b13$

SPECIFICATIONS

Product Specifications acc. to VDI 2198

1.1 Manufacturer (Abbreviation)		CLARK	CLARK	CLARK
Specifications	1.2 Manufacturer's designation	CGC40	CGC50	CGC55
	1.3 Drive unit Diesel, L.P. Gas	LPG	LPG	LPG
	1.4 Operator type stand on / driver seated	Driver Seated	Driver Seated	Driver Seated
	1.5 Load capacity / rated load Q (kg)	4000	4990	5500
	1.6 Load centre distance c (mm)	500	500	600
	1.8 Load centre distance, centre of drive axle to fork face x (mm)	439	452	467
	1.9 Wheelbase y (mm)	1570	1790	1790
	Weight	2.1 Service weight kg	5861	6737
2.2 Axle loading, laden front / rear kg		8359 / 1130	10175 / 1098	11767 / 1333
2.3 Axle loading, unladen front / rear kg		2306 / 3555	2950 / 3787	3048 / 4609
Tyres, Chassis	3.1 Tyre type *1	C	C	C
	3.2 Tyre size, front	22 x 9 x 16	22 x 12 x 16	22 x 12 x 16
	3.3 Tyre size, rear	18 x 6 x 12.12	22 x 7 x 16	22 x 7 x 16
	3.5 Wheels, number front/rear (x = drive wheels)	2 x / 2	2 x / 2	2 x / 2
	3.6 Tread, front b10(mm)	1062	1113	1113
	3.7 Tread, rear b11(mm)	1118	1093	1093
	Dimensions	4.1 Tilt of upright α = back / β = front Grad	8 / 9	8 / 9
4.2 Height, upright lowered h1(mm)		2264	2286	2286
4.3 Freelift h2(mm)		165	165	175
4.4 Lift height *2 h3(mm)		3073	2946	2845
4.5 Height, upright extended (with load backrest) h4(mm)		4318	4165	4064
4.7 Height overheadguard h6(mm)		2215	2215	2215
4.8 Seat height h7(mm)		1150	1150	1150
4.12 Coupling height h10(mm)		337	337	337
4.19 Overall length l1(mm)		3505	3891	3960
4.20 Length to face of forks l2(mm)		2438	2672	2741
4.21 Width b1, b2(mm)		1290	1392	1392
4.22 Fork dimensions s • e • l (mm)		50 x 127 x 1070	50 x 150 x 1220	57 x 150 x 1220
4.23 Fork carriage DIN 15173, A, B		Class III A	Class III A	Class IV A
4.24 Fork carriage width b3(mm)		1040	1245	1245
4.31 Ground clearance minimum m1(mm)		96	96	96
4.32 Ground clearance centre of wheelbase m2(mm)		155	155	155
4.33 Aisle width for pallets 1000x1200 crossways Ast(mm)		3933	4173	4231
4.34 Aisle width for pallets 1200x800 lengthways Ast(mm)		4110	4348	4406
4.35 Turning radius Wa(mm)	2270	2494	2537	
4.36 Internal turning radius b13(mm)	336	318	318	
Performances	5.1 Travel speed laden/unladen km/h	19.6 / 20.1	19.5 / 20.0	18.8 / 19.6
	5.2 Lift speed laden/unladen m/s	0.51 / 0.57	0.45 / 0.56	0.39 / 0.56
	5.3 Lowering speed laden/unladen m/s	0.40 / 0.37	0.39 / 0.47	0.39 / 0.45
	5.6 Max. drawbar pull laden/unladen *3 N	23350 / 10580	22240 / 13900	21130 / 14255
	5.8 Max. gradeability laden/unladen *3 %	27.1 / 15.4	20.1 / 18.0	18.2 / 16.1
	5.10 Service brake	Power assist disc	Power assist disc	Power assist disc
Engine	7.1 Manufacturer / Type *5	PSI 4X 4.3L T4	PSI-4.3L T4	PSI-4.3L T4
	7.2 Rated output acc. DIN 70 020 kW	82	82	82
	7.3 Rated speed acc. DIN 70 020 min-1	2400	2400	2400
	7.4 No. of cylinders / displacement /cm3	6 / 262	6 / 262	6 / 262
	7.5 Fuel consumption acc. VDI-CyclusDiesel = l/h, L.P.-Gas = kg/h	-	-	-
Misc.	8.2 Operating pressure for attachments *6 bar	Adjustable	Adjustable	Adjustable
	8.3 Oil volume for attachments l/min	max. 35	max. 35	max. 35
	8.4 Sound level, driver's ear *4 dB (A)	81	81	81
	8.5 Towing coupling, class/type DIN	PIN	PIN	PIN

*1 Different tyre types available *2 Futher lift heights see upright table *3 with 1.6 km/h Without load at friction coefficient $\mu=0.8$ *4 Equivalent permanent sound-pressure level L pAeq, T in accordance with DIN EN 12053 (previously DIN 45635-36) *5 LPG= Stage 4 *6 Max. 140 bar

All values shown are for standard lift truck with standard equipment. If the truck is supplied with options, values may change.

All values given may vary + 5 % and - 10 % due the motor and system tolerances and represent nominal values obtained under typical operating conditions.

Product Specifications acc. to VDI 2198

1.1 Manufacturer (Abbreviation)		CLARK	CLARK
Specifications	1.2 Manufacturer's designation	CGC60	CGC70
	1.3 Drive unit Diesel, L.P. Gas	LPG	LPG
	1.4 Operator type stand on/driver seated	Driver Seated	Driver Seated
	1.5 Load capacity /rated load Q (kg)	6000	7000
	1.6 Load centre distance c (mm)	600	600
	1.8 Load centre distance, centre of drive axle to fork face x (mm)	480	480
	1.9 Wheelbase y (mm)	1905	1905
	Weight	2.1 Service weight kg	8532
2.2 Axle loading, laden front/rear kg		13119 / 1536	14703 / 1789
2.3 Axle loading, unladen front/rear kg		3540 / 4992	3707 / 5754
Tyres, Chassis	3.1 Tyre type *1	C	C
	3.2 Tyre size, front	22 x 14 x 16	22 x 14 x 16
	3.3 Tyre size, rear	22 x 8 x 16	22 x 8 x 16
	3.5 Wheels, number front/rear (x = drive wheels)	2 x / 2	2 x / 2
	3.6 Tread, front b10(mm)	1138	1138
	3.7 Tread, rear b11(mm)	1067	1067
	Dimensions	4.1 Tilt of upright α = back / β = front Grad	8 / 8
4.2 Height, upright lowered h1(mm)		2515	2515
4.3 Freelift h2(mm)		216	216
4.4 Lift height *2 h3(mm)		2972	2972
4.5 Height, upright extended (with load backrest) h4(mm)		4191	4191
4.7 Height overheadguard h6(mm)		2311	2311
4.8 Seat height h7(mm)		1150	1150
4.12 Coupling height h10(mm)		337	337
4.19 Overall length l1(mm)		4072	4143
4.20 Length to face of forks l2(mm)		2853	2923
4.21 Width b1, b2(mm)		1494	1494
4.22 Fork dimensions s • e • l (mm)		65 x 150 x 1220	64 x 150 x 1220
4.23 Fork carriage DIN 15173, A, B		Class IV A	Class IV A
4.24 Fork carriage width b3(mm)		1400	1400
4.31 Ground clearance minimum m1(mm)		96	96
4.32 Ground clearance centre of wheelbase m2(mm)		155	155
4.33 Aisle width for pallets 1000x1200 crossways Ast(mm)	4379	4438	
4.34 Aisle width for pallets 1200x800 lengthways Ast(mm)	4552	4611	
4.35 Turning radius Wa(mm)	2669	2728	
4.36 Internal turning radius b13(mm)	298	298	
Performances	5.1 Travel speed laden/unladen km/h	16.5 / 16.5	16.3 / 16.6
	5.2 Lift speed laden/unladen m/s	0.31 / 0.42	0.30 / 0.42
	5.3 Lowering speed laden/unladen m/s	0.40 / 0.35	0.40 / 0.35
	5.6 Max. drawbar pull laden/unladen *3 N	42120 / 19885	41900 / 19795
	5.8 Max. gradeability laden/unladen *3 %	32.3 / 19.9	29.9 / 17.7
	5.10 Service brake	Power assist disc	Power assist disc
Engine	7.1 Manufacturer /Type *5	PSI-4.3L T4	PSI-4.3L T4
	7.2 Rated output acc. DIN 70 020 kW	82	82
	7.3 Rated speed acc. DIN 70 020 min-1	2400	2400
	7.4 No. of cylinders /displacement /cm3	6 / 262	6 / 262
	7.5 Fuel consumption acc. VDI-CyclusDiesel = l/h, L.P.-Gas = kg/h	-	-
Misc.	8.2 Operating pressure for attachments *6 bar	Adjustable	Adjustable
	8.3 Oil volume for attachments l/min	max. 35	max. 35
	8.4 Sound level, driver's ear *4 dB (A)	81	81
	8.5 Towing coupling, class/type DIN	PIN	PIN

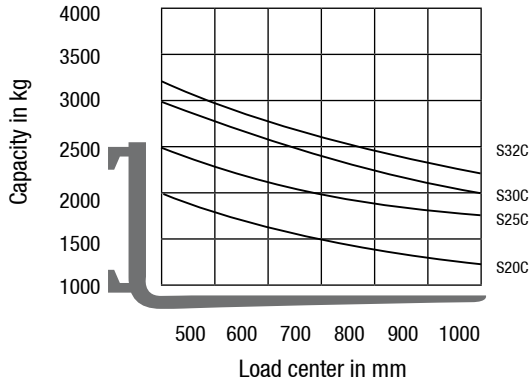
1 Different tyre types available *2 Futher lift heights see upright table *3 with 1.6 km/h Without load at friction coefficient $\mu=0.8$ *4 Equivalent permanent sound-pressure level L pAeq in accordance with DIN EN 12053 (previously DIN 45635-36) *5 LPG= Stage 4 *6 Max. 140 bar

Il values shown are for standard lift truck with standard equipment. If the truck is supplied with options, values may change.

Il values given may vary + 5 % and - 10 % due the motor and system tolerances and represent nominal values obtained under typical operating conditions.

GENERAL DATA

Truck Capacities Capacity at different load centres



Note:

The listed capacities are valid only for the standard upright in vertical position with standard fork carriage and standard forks, up to max. lifting height of 3300 mm. The centre of gravity of the load may be displaced by max. 100 mm against the longitudinal centre plane of the truck. Load centre is determined from top and front face of the forks. The values are based on a 1000 mm cube load configuration with the centre of gravity at the true centre of the cube. With upright tilted forward lower capacity values are valid. Attachments, longer forks, exceptional load dimensions and higher lifting heights can reduce the capacity.

Please talk to your CLARK dealer if you require further information.

Upright table CGC40

	Max.Fork Height (h3)	Mast Lowered (h1)	Mast Extended (h4)		Free Lift (h2)	
			with load backrest	without load backrest	with load backrest	without load backrest
			mm	mm	mm	mm
STD	2790	2117	4013	3511	168	168
	3090	2267	4313	3811		
	3690	2567	4913	4411		
	4290	2867	5513	5011		
Triplex	4330	2117	5548	4980	897	1473
	4780	2267	5998	5430	1047	1625
	5040	2492	6259	5691	1272	1830
	5380	2567	6598	6030	1347	1930
	5830	2717	7048	6480	1497	2083
	6430	3017	7648	7080	1797	2363

Upright table CGC55

	Max.Fork Height (h3)	Mast Lowered (h1)	Mast Extended (h4)		Free Lift (h2)	
			with load backrest	without load backrest	with load backrest	without load backrest
			mm	mm	mm	mm
STD	2540	2135	3769	3460	178	178
	2845	2390	4069	3760		
	3430	2590	4669	4360		
	4040	2895	5269	4960		
Triplex	3860	2110	5094	4690	896	1300
	4270	2260	5508	5104	1046	1450
	4570	2413	5808	5404	1196	1600
	4876	2514	6106	5702	1296	1700
	5335	2735	6558	6154	1496	1900
	5920	3025	7158	6754	1796	2200

Upright table CGC50

	Max.Fork Height (h3)	Mast Lowered (h1)	Mast Extended (h4)		Free Lift (h2)	
			with load backrest	without load backrest	with load backrest	without load backrest
			mm	mm	mm	mm
STD	2645	2135	3863	3405	168	168
	2945	2285	4163	3705		
	3530	2540	4763	4305		
	4140	2895	5363	4905		
Triplex	4115	2110	5334	4972	896	1258
	4520	2260	5748	5386	1046	1408
	4825	2415	6048	5686	1196	1558
	5030	2565	6248	5886	1346	1708
	5565	2720	6798	6436	1496	1858
	6170	3025	7398	7036	1796	2158

Upright table CGC60/70

	Max.Fork Height (h3)	Mast Lowered (h1)	Mast Extended (h4) *		Free Lift (h2) *	
			with load backrest	without load backrest	with load backrest	without load backrest
			mm	mm	mm	mm
STD	2616	2337	3835	3835	216	216
	2972	2515	4191	4191		
	3429	2743	4648	4648		
	4039	3048	5258	5258		
Triplex	3429	2210	4648	4648	1270	1270
	3810	2337	5029	5029	1397	1397
	4420	2540	5659	5659	1600	1600
	4800	2667	6020	6020	1727	1727
	5029	2743	6248	6248	1829	1829
	5639	3023	6858	6858	2108	2108
	6985	3607	8204	8204	2616	2616

* Note: The carriage roller bars are on the same height as the load back rest.

PRODUCT DESCRIPTION



With the CLARK CGC-series, reliable, durable and high-performance trucks have been designed for space-critical applications with heavy loads. Low operation and maintenance costs as well as a well-designed workplace set these forklift trucks apart.

Driver Environment

- Functional and secure
- Large, low step with perforated plate
- Stable non-slip rubber floor covering in the footwell
- Handle on the front spar on the entry side
- Safe climbing up and down on both sides
- Tilting steering column with top bending point for excellent knee and legroom
- Hydraulic power steering
- Adjustable artificial leather seat (mechanical suspension) weight adjustable from 50 to 140 kg
- Engine cover mounted hydraulic control levers or as an optional armrest mini lever
- Automotive style pedal arrangement
- Low front cowl for maximum visibility
- Clear view through the overhead guard
- Foot-operated parking brake for easy handling

Engine, Transmission

The CLARK CGC with LPG power ensures maximum efficiency during operation. The engines used are low in consumption and at the same time offer good performance. The temperatures of the engine and transmission are permanently monitored, and they are switched off when the limit values are exceeded. The H200 transmission developed by CLARK enables comfortable and precise travel. The CGC40 has a 1-speed transmission as standard and the CGC50-70 has a 2-speed transmission (switchover via the dashboard).

LPG Engine

- PSI 4X V6 (4.3 L)
- Full EPA Tier 4 certification (EU exhaust level 5)
- Clean, economical and powerful engine with three-way catalyst
- ECU-controlled map ignition for more torque
- 6-cylinder design with overhead camshafts
- Electronic speed measurement

Steering system

- Hydrostatic power steering
- Travel surface impacts are intercepted
- The floating steering axle is mounted in rubber-steel elements

Brake system

- Low maintenance disc brakes
- Brake boost for less effort during braking
- Easy access for maintenance filtered and cooled
- Hydraulic oil is constantly filtered and cooled

Hydraulic system

- Oil cleanliness through hydraulic oil filtration on each return to the tank
- Large hydraulic oil tank allows the use of multiple attachments
- High level of safety with safety valve to prevent uncontrolled lowering of loads

Upright

- Uprights available in standard or triplex versions
- Maximum visibility through particularly wide uprights, narrow centre cylinders and optimum upright rollers
- Angled upright rollers
- Tilt cylinders mounted in spherical bearings
- Integral tilt-lock valve prevents the upright from tilting forward too fast or unintentionally
- Sturdy 6-roller fork carriage with FEM fork carriage

Additional standard equipment

Work lights, cushion tyres, combination rear lights with brake lights and white reversing lights, paintwork in the bright safety colour „CLARK HOT YELLOW GREEN“. Driver's compartment, upright and rims in black

Additional equipment

- Additional hydraulic functions
- Kooch-on sideshifter
- Strobe light
- Rear work lights
- LED headlights
- Armrest
- Orange seat belt with safety feature
- Side with hiprest for easy entry
- Full suspension driver's seats (vinyl or fabric)
- Rear handle with horn
- Safety switch for attachments with clamp function
- Swing-down LPG tank bracket
- Storage panel and drinks holder
- Rearview mirror
- Quick release coupling
- Non-marking tyres
- Pre-cleaner on overhead guard
- 2-gear transmission for CGC40
- Painted in various RAL colours to customer's requirements

Safety

The CGC-Series is CE certified and complies with all European safety standards for industrial trucks.

Contact your CLARK dealer to find your optimum forklift.

CLARK Europe GmbH
Dr.-Alfred-Herrhausen-Allee 33
47228 Duisburg / Germany
Tel.: +49 (0)2065 499 13-0
Fax: +49 (0)2065 499 13-290
E-Mail: Info-europe@clarkmheu.com
www.clarkmheu.com

Dealer:

