

This compact sized stacker, powerful and reliable, is the ideal solution to work in confined spaces. The Duplex mast allows a lifting capacity from 2500 up to 3500 mm with a FreeLift version available. The reduced width (800 mm), the lateral driving system and the wide mast positioning assure great manoeuvrability, stability and visibility. The built in battery and charger with integrated cable and plug make the GX Series a plug and play unit.

GX Basic

The BASIC version is equipped with a starting type battery, a tiller made with metal tube and ergonomic controls. This configuration is the best value for money choice.

BASIC
GX

GX Evo

The EVO version is equipped with more powerful batteries - semitraction type - that allow longer endurance and greater number of charging cycles. The ergonomic tiller made with PLASTIC offers a comfortable grip. A specific electronic board controls the fork movement offering a smooth start-stop.

EVO
GX

GX Freelift

The GX EVO is also available with a total free lift configuration, permitting to rise the forks up to 1.492 mm from the ground level, without increasing the minimum machine height (1.965 mm). For this reason the truck can also be used in working spaces with reduced height.

FREELIFT
GX



FINGERTIP CONTROLS

Fully integrated tiller system with throttle, fork control safety pushbutton, horn, and turtle button. Hourmeter, battery status indicator and a higher ergonomics are the standard equipment of the EVO version.



MANOEUVRABILITY

Having the same size as the EuroPallet (800 mm), the overall width of the GX allows the unit to work in narrow spaces and corridors, with increased manoeuvrability and a reduced turning radius. The combination of the lateral drive, the wide mast and the low cover offer an outstanding visibility.



COVER

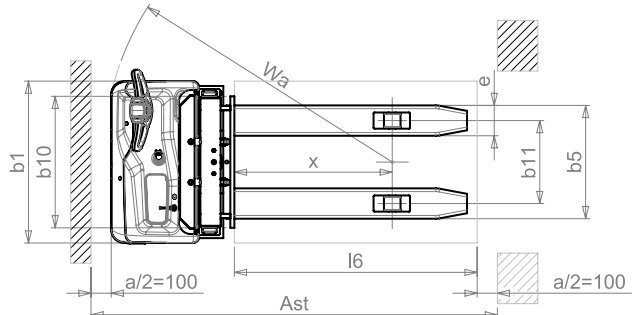
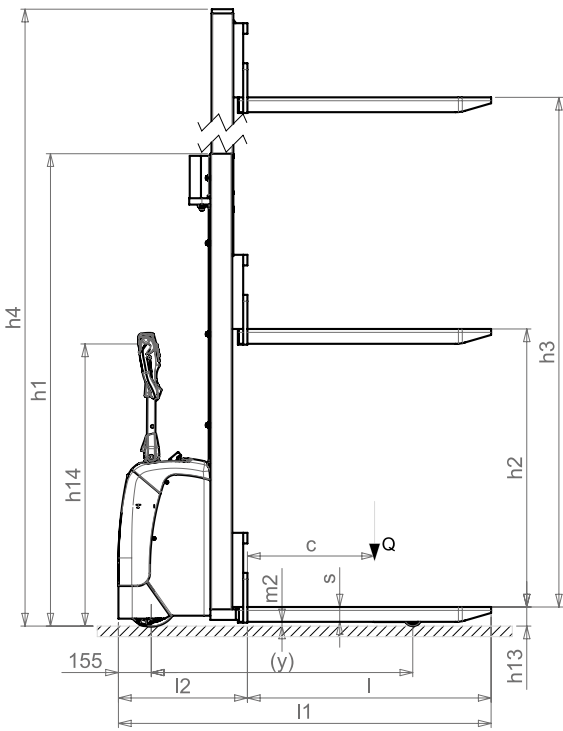
Strong ABS cover with storage compartments on top, easily removable to speed up maintenance operations. The bottom access opening allows an immediate disassembly of the motor wheel, portal and tiller without lifting the machine. A Schuko plug with spiral cable is available for an easy battery charging.



BATTERY PACK

The separate battery compartment is the housing of starting batteries on BASIC version, SEMI-TRACTION on the EVO one. Such batteries are lightweight and inexpensive and allow up to a 3 hours working autonomy. GEL version available.

Electric Stackers



DESCRIPTION		GX 12/25 BASIC	GX 12/29 BASIC	GX 12/35 BASIC	GX 12/25 EVO	GX 12/29 EVO	GX 12/35 EVO	GX 12/29 EVO FREELIFT
1.3	MODEL	GX 12/25 BASIC	GX 12/29 BASIC	GX 12/35 BASIC	GX 12/25 EVO	GX 12/29 EVO	GX 12/35 EVO	GX 12/29 EVO FREELIFT
1.4	DRIVE	ELECTRIC	ELECTRIC	ELECTRIC	ELECTRIC	ELECTRIC	ELECTRIC	ELECTRIC
1.4	OPERATOR TYPE	PEDESTRIAN	PEDESTRIAN	PEDESTRIAN	PEDESTRIAN	PEDESTRIAN	PEDESTRIAN	PEDESTRIAN
1.5	LOAD CAPACITY	Q kg	1200	1200	1200	1200	1200	1200
1.6	LOAD CENTRE DISTANCE	c mm	600	600	600	600	600	600
1.8	LOAD DISTANCE, CENTRE OF DRIVE AXLE TO FORK	x mm	780	780	780	780	780	780
1.9	WHEEL BASE	y mm	1234	1234	1234	1234	1234	1234
WEIGHTS								
2.1	SERVICE WEIGHT WITH BATTERY (SEE ROW 6.5)	kg	530	545	578	570	585	618
2.2	AXLE LOAD LADEN, FRONT/REAR	kg	543/1187	558/1187	591/1187	583/1187	598/1187	631/1187
2.3	AXLE LOAD UNLADEN, FRONT/REAR	kg	368/162	383/162	416/162	408/162	423/162	456/162
TYRES/CHASSIS								
3.1	TYRES		G+P/P	G+P/P	G+P/P	G+P/P	G+P/P	G+P/P
3.2	TYRE SIZE, FRONT (Ø x width)		250x76	250x76	250x76	250x76	250x76	250x76
3.3	TYRE SIZE, REAR (Ø x width)		82x70	82x70	82x70	82x70	82x70	82x70
3.4	SIDE WHEELS (Ø x width)		100x38	100x38	100x38	100x38	100x38	100x38
3.5	WHEELS, NUMBER (x=DRIVEN) FRONT/REAR		1x+1/2	1x+1/2	1x+1/2	1x+1/2	1x+1/2	1x+1/2
3.6	TREAD, FRONT	b10 mm	565	565	565	565	565	565
3.7	TREAD, REAR	b11 mm	410	410	410	410	410	410
DIMENSIONS								
4.2	HEIGHT, MAST LOWERED	h1 mm	1787	1987	2250	1787	1987	2250
4.3	FREE LIFT	h2 mm	-	-	80	-	-	80
4.4	LIFT	h3 mm	2410	2810	3410	2410	2810	3410
4.5	HEIGHT, MAST EXTENDED	h4 mm	2992	3392	3916	2992	3392	3916
4.6	INITIAL LIFT	h5 mm	-	-	-	-	-	-
4.9	HEIGHT OF TILLER IN DRIVE POSITION MIN/MAX	h14 mm	915/1310	915/1310	915/1310	960/1330	960/1330	960/1330
4.15	HEIGHT, LOWERED	h13 mm	90	90	90	90	90	90
4.19	OVERALL LENGTH	l1 mm	1760	1760	1760	1760	1760	1760
4.20	LENGTH TO FACE OF FORKS	l2 mm	609	609	609	609	609	609
4.21	OVERALL WIDTH	b1/b2 mm	800	800	800	800	800	800
4.22	FORK DIMENSIONS	s/e/l mm	70/150/1150	70/150/1150	70/150/1150	70/150/1150	70/150/1150	70/150/1150
4.24	FORK-CARRIAGE WIDTH	b3 mm	650	650	650	650	650	650
4.25	DISTANCE BETWEEN FORK ARMS	b5 mm	560	560	560	560	560	560
4.32	GROUND CLEARANCE, CENTRE OF WHEEL BASE	m2 mm	20	20	20	20	20	20
4.34	AISLE WIDTH FOR PALLETS 800x1200 LENGTHWISE	Ast mm	2210	2210	2210	2210	2210	2210
4.35	TURNING RADIUS	Wa mm	1430	1430	1430	1430	1430	1430
PERFORMANCE DATA								
5.1	TRAVEL SPEED, LADEN/UNLADEN	km/h	4,7/5,2	4,7/5,2	4,7/5,2	4,7/5,2	4,7/5,2	4,7/5,2
5.2	LIFT SPEED, LADEN/UNLADEN	m/s	0,11/0,19	0,11/0,19	0,11/0,19	0,11/0,19	0,11/0,19	0,10/0,18
5.3	LOWERING SPEED, LADEN/UNLADEN	m/s	0,12/0,15	0,12/0,15	0,12/0,15	0,25/0,3	0,25/0,3	0,25/0,3
5.8	MAX GRADEABILITY, LADEN/UNLADEN	%	5/10	5/10	5/10	5/10	5/10	5/10
5.10	SERVICE BRAKE		ELECTRIC	ELECTRIC	ELECTRIC	ELECTRIC	ELECTRIC	ELECTRIC
ELECTRIC MOTORS								
6.1	DRIVE MOTOR POWER	kW	0,7	0,7	0,7	0,7	0,7	0,7
6.2	LIFT MOTOR POWER	kW	2,2	2,2	2,2	2,2	2,2	2,2
6.4	BATTERY VOLTAGE, NOMINAL CAPACITY C5	V/Ah	24/85 (C20)	24/85 (C20)	24/85 (C20)	24/118 (C5)	24/118 (C5)	24/118 (C5)
6.5	BATTERY WEIGHT	kg	38	38	38	78	78	78
6.6	ENERGY CONSUMPTION ACC. TO VDI CYCLE	kWh/h	0,9	0,9	0,9	0,9	0,9	0,9
8.4	SOUND LEVEL AT DRIVER'S EAR	dB(A)	62	62	62	62	62	62